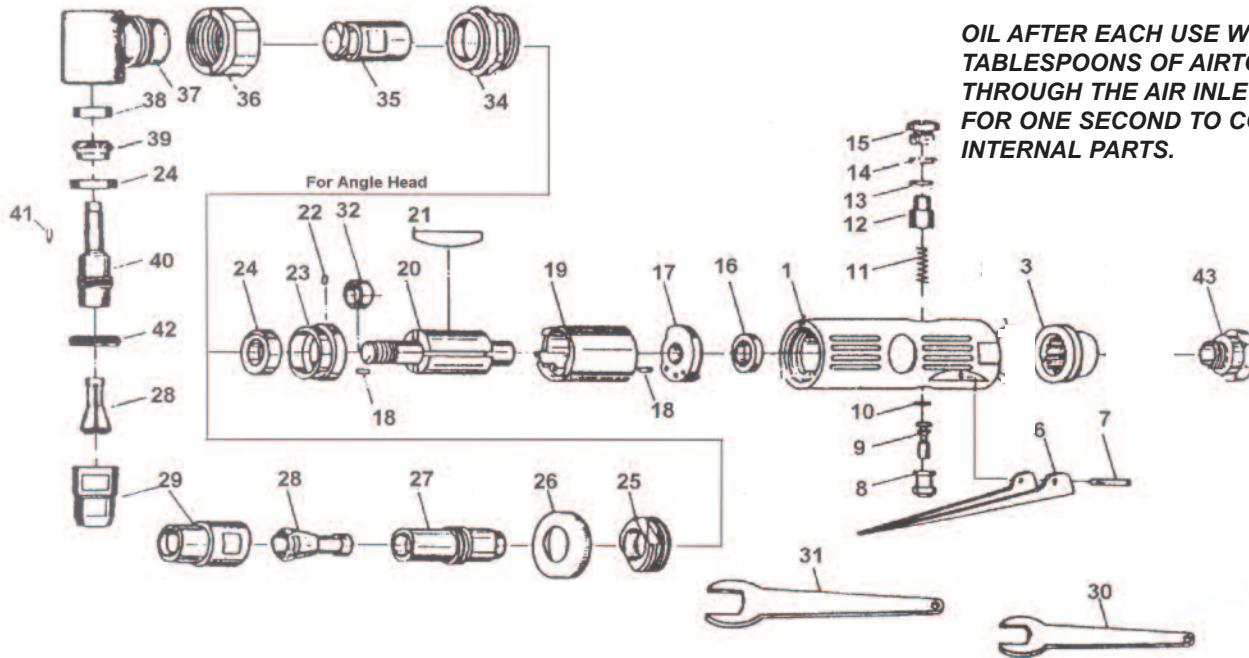


T-7758R 1/4" Die Grinder
T-7759R 1/4" Angle Die Grinder



OILING INSTRUCTIONS:

OIL AFTER EACH USE WITH 1 OR 2 TABLESPOONS OF AIRTOOL OIL THROUGH THE AIR INLET. RUN FOR ONE SECOND TO COAT ALL INTERNAL PARTS.



USE 90 PSI MAXIMUM

Ref.#	Part #	Description	Qty.
1	7759R01N	Housing with Bushing	1
3	7759R03N	Exhaust Deflector	1
6	7759R06N	Lever	1
7	7759R07N	Pin	1
8	7759R08N	Throttle Bushing	1
9	7759R09N	Valve	1
10	7759R10N	"O"-Ring	1
11	7759R11N	Spring	1
12	7759R12N	Regulator	1
13	7759R13N	"O"-Ring	1
14	7759R14N	"O"-Ring	1
15	7759R15N	Cap	1
16	7759R16N	Bearing	1
17	7759R17N	Rear End Plate	1
18	7759R18N	Ball	2
19	7759R19N	Cylinder	1
20	7759R20N	Rotor	1
21	7759R21N	Rotor Blade (4 per set)	1 set
22	7759R22N	Ball	1

Ref.#	Part #	Description	Qty.
23	7758R23N	Front Plate for T-7758R	1
	7759R23N	Front Plate for T-7759R	1
24	7759R24N	Bearing	1 - 2
25	7758R25N	Bearing Cap	1
26	7758R26N	Nut	1
27	7758R27N	Spindle	1
28	T-7504	1/4" Collet	1
28A	T07508	1/8" Collet (not included)	
29	7759R29N	Clamp Nut	1
30	7759R30N	Wrench (11mm)	1
31	7759R31N	Wrench (17mm)	1
32	7759R32N	Bushing	1
34	7759R34N	Nut	1
35	7759R35N	Bevel Gear	1
36	7759R36N	Nut	1
37	7759R37N	Angle Head	1
38	7759R38N	Bearing	1
39	7759R39N	Bevel Gear	1
40	7759R40N	Collet Casing	1
41	7759R41N	Key	1
42	7759R42N	Bearing Cap	1
43	7759R43N	Air Inlet	1

505 N. Railroad Ave.
P.O. Box 1117
Boynton Beach, Florida 33435

SEE OUR CATALOG
at
www.taylorpneumatic.com

PH. 561-732-1111
FAX 561-731-4412
Toll Free 800-805-8665